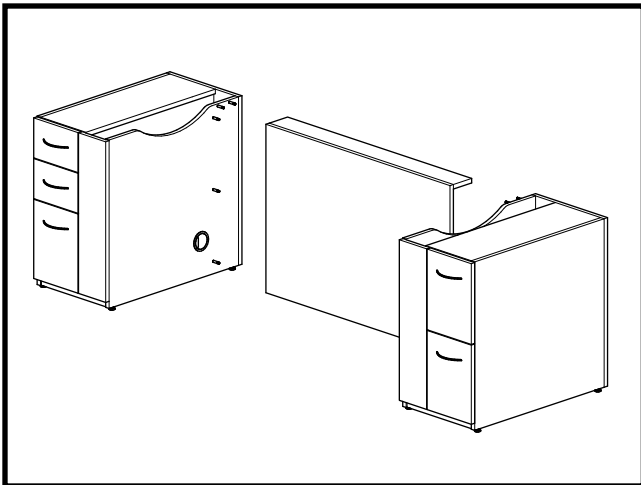


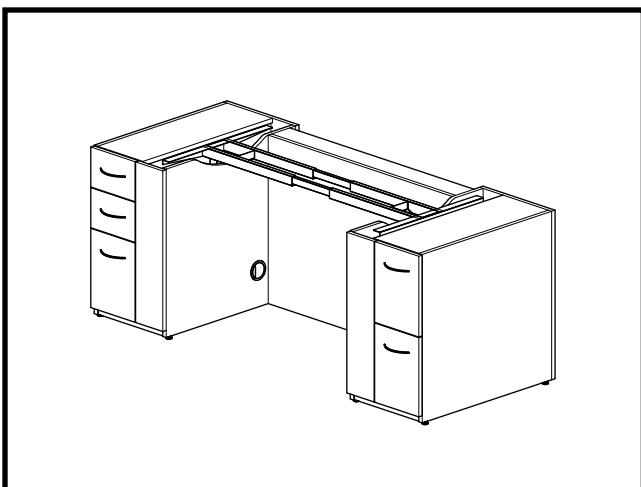
Step 1

SECURE SUPPORT SHELF ON APPROACH SIDE OF
MODESTY WITH PINS & CAM LOCKS.



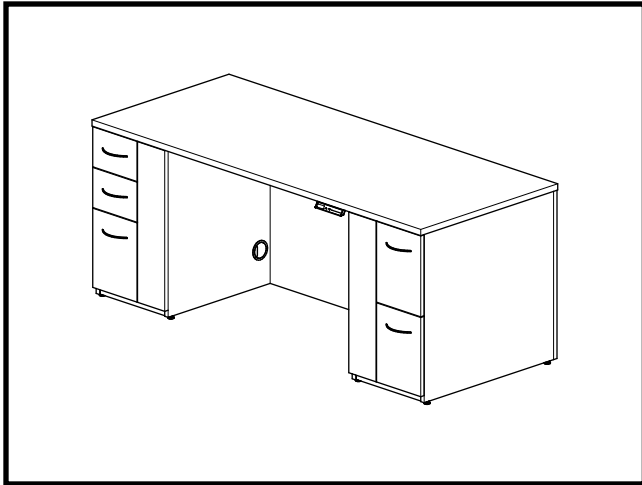
Step 2

POSITION MODESTY & SUPPORT SHELF BETWEEN
PEDESTALS AND SECURE WITH PINS & CAM LOCKS.



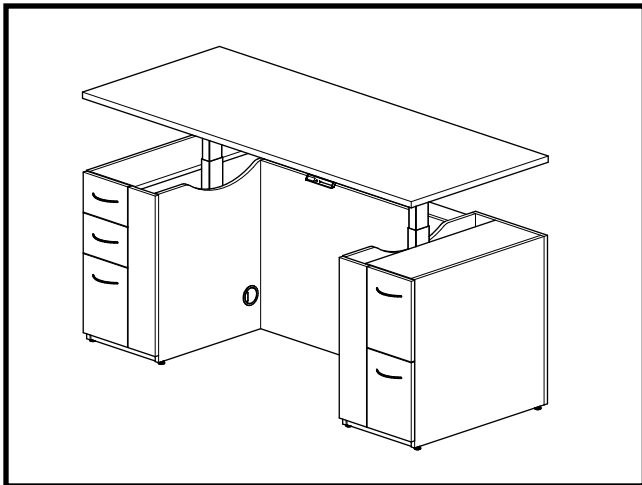
Step 3

PLACE HEIGHT ADJUSTABLE ELECTRICAL BASE IN BOX
SUPPORTS IN LOWEST POSITION.



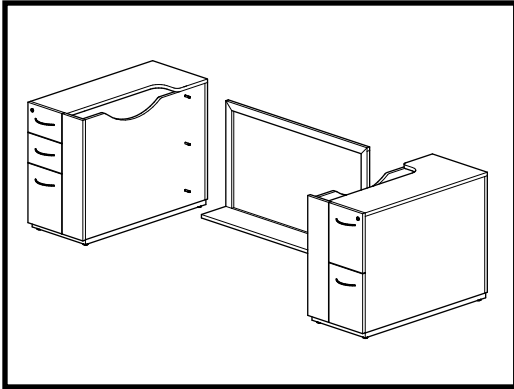
Step 4

PLACE & ALIGN WORKSURFACES OVER HEIGHT
ADJUSTABLE BASE. DO NOT SECURE WORKSURFACE TO
BASE YET.



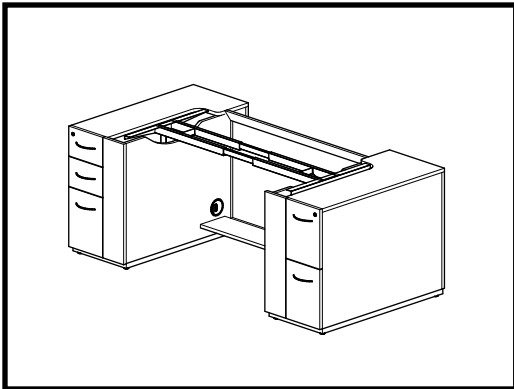
Step 5

ELEVATE WORKSURFACE HEIGHT AND SECURE IN PLACE
WITH WOOD SCREWS PROVIDED.



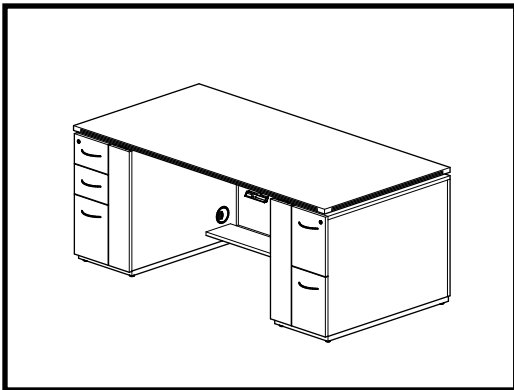
Step 1

SECURE MODESTY & SUPPORT SHELF BETWEEN PEDESTALS WITH PINS & CAM LOCKS.



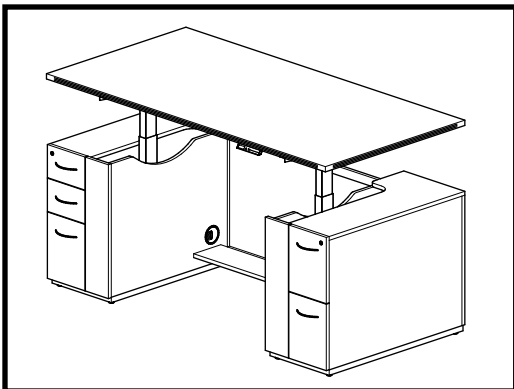
Step 2

PLACE HEIGHT ADJUSTABLE ELECTRICAL BASE IN BOX SUPPORTS IN LOWEST POSITION.



Step 3

PLACE & ALIGN WORKSURFACES OVER HEIGHT ADJUSTABLE BASE. DO NOT SECURE WORKSURFACE TO BASE YET.



Step 4

ELEVATE WORKSURFACE HEIGHT AND SECURE IN PLACE WITH WOOD SCREWS PROVIDED.